

# Auto Tare Gram Scale



Models:  
BV2100SC

## **HOUSEHOLD USE ONLY**

Customer Service Line:  
1-855-664-1252

1-year limited warranty

[bonavitaworld.com](http://bonavitaworld.com)

- Six auto modes for ease of use and hands free operation
- Unique nano-coating helps prevent water damage
- Programmable auto-off settings
- Built in timer for brewing accuracy
- 2000 gram capacity and .1 gram accuracy
- Battery operated

**PLEASE READ THIS MANUAL BEFORE USE. SAVE FOR FUTURE REFERENCE.**

# GENERAL MAINTENANCE AND CARE

Avoid exposure to extreme heat or cold.

- Always allow your scale to acclimate to normal room temperature before use.

Keep your scale in a clean environment.

- Excessive dust, dirt, vibration, air currents, as well as close proximity to other electronic equipment may have an adverse effect on the accuracy and reliability of the scale.

Handle the scale with care.

- Set all items to be weighed gently on the top of the platform.
- Although this scale is designed to be quite durable, avoid rough treatment as this may permanently damage the internal components.
- Always avoid violent shaking and dropping.
- This is a precision instrument and should be handled as such.

# LIMITED WARRANTY

1 year limited warranty from the date of original purchase.

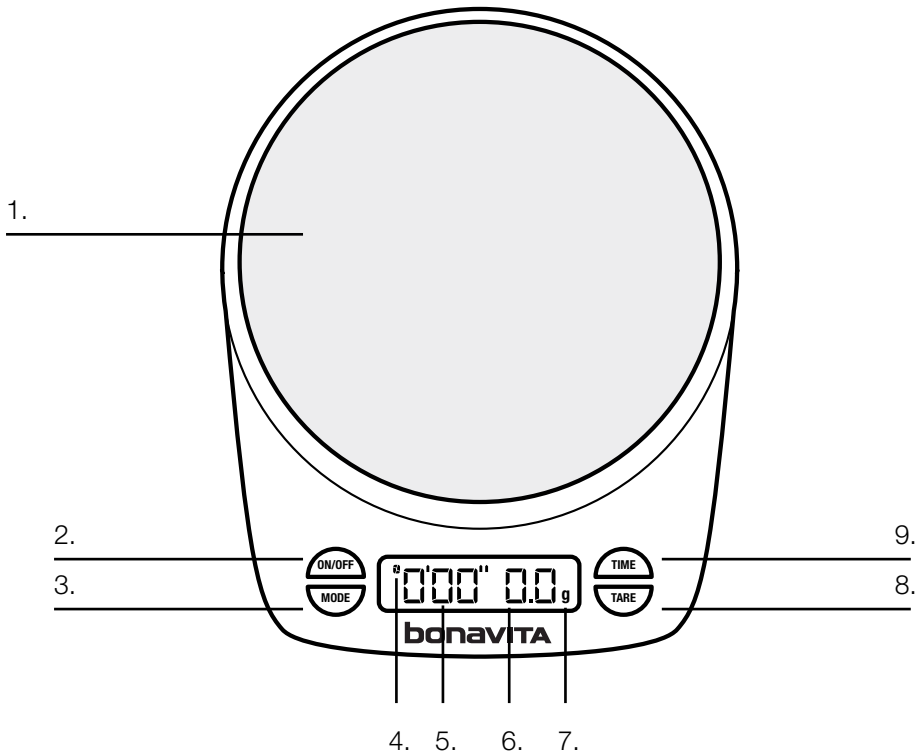
1. This warranty extends only to the original retail purchaser or gift recipient. Keep the original sales receipt as proof of purchase is required to make a warranty claim.
2. This warranty covers any defects in materials or workmanship from the manufacturing process.
3. Defects that occurred due to improper connection, improper handling, or repair attempts by non-authorized persons are not covered by the warranty. The same applies for failure to comply with the use of cleaning and descaling agents that do not correspond to the original specifications.
4. Damages which are not the responsibility of the manufacturer are not covered by the warranty. This is valid especially for claims arising from improper use (e.g. operation without the lid on the kettle during operation).

# SAVE THESE INSTRUCTIONS

5. The warranty becomes void if repairs are carried out by third parties who are not authorized by the manufacturer and/or if spare parts are used other than the original ones.
6. Failure to comply with any of the important safeguards listed in this manual will void the limited warranty.
7. Please call 1-855-664-1252 or email [customersupport@bonavitaworld.com](mailto:customersupport@bonavitaworld.com) for warranty claims.

**SAVE THESE INSTRUCTIONS**

# PARTS DIAGRAM



1. Platform
2. ON/OFF button
3. MODE button
4. MODE indicator
5. Timer
6. LCD Readout
7. Weight (g)
8. TARE button
9. TIME button

## Technical Data

Capacity: 2000g

Accuracy: 0.1g

Units: grams (g)

Key functions: ON/OFF, MODE, TARE, TIME •

Display: LCD with backlight

Auto-off:

- Auto-off time is disabled by default.
- Auto-off can be set to 60 seconds, 120 seconds, 180 seconds, or disabled manually.

Operating modes: Four (4) Automatic (AUTO) modes and two (2) Manual (HAND) modes

Power: (2) AAA batteries

Operation temperature range: 50° to 85° Fahrenheit (10° to 30° Celsius)

# USING THE SCALE

## Battery installation

The scale includes two (2) AAA batteries and a mini screwdriver. The batteries will need to be installed prior to use.

1. Remove the plastic wrap from the batteries and discard.
2. Remove the battery cover from the base using the provided mini screwdriver, turning the screws counterclockwise. Be careful not to misplace the small screws.
3. Slide the negative end of the battery into place against the spring. Press the positive end of the battery down until the battery slides into place.
4. Repeat with the second battery.
5. Replace the battery cover.
6. Carefully reinstall the screws by turning them clockwise until secure.

**Note:** If your scale reads “LO” on the display or will not power on, replace the batteries by following these steps.

## Mode setting

1. Turn on the scale by pressing the ON/OFF button. Wait until the LCD displays zero.
2. Press the MODE button.
  - The display will read “AUTO1”,

“AUTO2”, “AUTO3”, “AUTO4”, “HAND1”, or “HAND2”.

- Press MODE again to toggle through these 6 modes.
3. Under “AUTO1” mode, a square symbol will appear on the upper left corner of the display.
  4. Under “AUTO2” mode, a square symbol will appear on the bottom left corner of the display.
  5. Under “AUTO3” mode, “A” will appear on the left side of the display.
  6. Under “AUTO4” mode, “C” will appear on the left side of the display.
  7. Under “HAND1” mode, “P” will appear on the upper left corner of the display.
  8. Under “HAND2” mode, “H” will appear on the upper left corner of the display.

# OPERATION

## “AUTO” Mode (for making espresso):

**Mode:** AUTO1 (Auto-tare and Auto-timer with immediate timer start)

1. Place cup on scale.
  - Time goes to 0’00” and weight goes to 0.0g;
  - Count-up timer starts.
2. Remove cup after brewing.

- Last time and weight are displayed
- After a five (5) second delay, time returns to 0'00" and weight returns to 0.0g.

**Mode:** AUTO2 (Auto-tare and manual timer start)

1. Place cup on scale.
  - Time goes to 0'00" and weight goes to 0.0g.
2. Push button on espresso machine to start the shot.
3. Press orange TIME button on scale.
  - Count-up timer starts.
4. Remove cup after brewing.
  - Weight reading remains on the display for five (5) seconds after removing the cup.
  - After a five (5) second delay, time returns to 0'00" and weight returns to 0.0g.

**Mode:** AUTO3 (Auto-tare only)

1. Place cup on scale.
  - Weight reading goes to 0.0g (Auto-tares).
2. Push button on espresso machine to start the shot.
3. Remove cup after brewing.
  - Weight reading remains on the display for five (5) seconds after removing the cup.
  - After a five (5) second delay, time returns to 0'00" and

weight returns to 0.0g.

**Mode:** AUTO4 (Auto-tare and Auto-timer with timer starting when liquid hits the cup)

- No automatic operations.
  - Tare by pressing the TARE button.
  - Start the timer by pressing the TIME button.
1. Place cup on the scale.
    - Weight reading goes to 0.0g (Auto-tares).
  2. Push button on espresso machine to start the shot.
    - When liquid hits the cup the timer automatically starts to count up. To pause the timer, press TIME button
  3. Remove cup after brewing.
    - Weight reading remains on the display for five (5) seconds after removing the cup.
    - After a five (5) second delay, time returns to 0'00" and weight returns to 0.0g.

**“HAND” Mode (for pour over brewing):**

**Mode:** HAND1

1. Place brew vessel on the scale platform.
  - Weight reading goes to 0.0g (Auto-tares).
2. Add coffee grounds to the brewing vessel.
3. Adjust the amount of coffee

- grounds to the desired weight.
- Once platform is stable for 3 seconds, weight reading goes to 0.0g (Auto-tares).
  - Start adding water to the coffee grounds.
    - Count-up timer starts.
  - Remove cup after brewing.
    - Weight reading remains on the display for five (5) seconds after removing the cup.
    - After a five (5) second delay, time returns to 0'00" and weight returns to 0.0g.

**Mode:** HAND2

- No automatic operations.
  - Tare by pressing the TARE button.
  - Start the timer by pressing the TIME button.
- Add weight to the platform.
    - Amount of weight is displayed on the right side of the LCD.
  - To start the timer, press the TIME button.
    - The display will flash once.
    - Timer begins.
    - Time is displayed on the left side of the LCD.
  - To pause the timer, press the TIME button.
  - To reset the timer to 0'00" press the TIME button again.
    - When timer reaches 9'59" it will reset to 0'00."

## TARE FUNCTION

- Tare function is disabled under "AUTO" mode.
- Under "HAND" mode: press the TARE button when needed.

## AUTO-OFF SETTING

- Auto-off function is set to 180 seconds by default.
- Auto-off can be set to 60 seconds, 120 seconds, 180 seconds, or disabled manually.
- To change the Auto-off time setting or disable this function:
  - Turn off the scale.
  - Press and hold the ON/OFF button.
  - While holding the ON/OFF button, press the TARE button 4-5 times quickly until "180" is displayed.
  - Release both buttons.
  - Press the MODE button to switch between "0/60/120/180".
    - If "0" is selected, the Auto-off function will be disabled.
  - After choosing the desired time, press the ON/OFF button again.
  - The display will show "PASS" to confirm this setting.
  - The scale will turn off automatically.

**Note:**

- If “60”, “120”, or “180” is chosen, the scale will turn off after the designated number of seconds of inactivity.
- If the Auto-off function is disabled, the scale will not shut off on its own.

**Note:** To maintain a longer battery life, please turn off the scale by pressing the ON/OFF button after each use.

## CALIBRATION

1. While the scale is off, press ON/OFF button to turn on the scale.
  - The LCD will read “0.0g”.
2. Press and hold the MODE button until the display shows
3. “CAL”, then release the button.
4. Press MODE button again.
  - “500g” will flash on the display.
5. Place a 500g calibration weight onto the center of the platform.
6. The LCD will read “PASS” then return to the normal weighing mode.
7. Calibration is complete.

## WARNING MESSAGES

- “LO”: Low voltage
  - Replace the batteries.
- “EEEE”: Overload
  - Quickly remove weight from platform to protect the scale.
- “UNST”:
  - Scale is not steady during start up. Please turn off scale, set on a stable surface and restart scale.
  - Water is inside the scale. Shake out excess water and let dry.

## WASHING INSTRUCTIONS

This scale has been treated with a liquid repelling Nano- coating which allows you to wash your scale without damaging the internal electronics. Please follow these instructions when washing:

1. Hand wash only with mild soapy water.
2. Wash only the platform. Rinse other parts with clean water if needed.
3. After washing the scale, shake out excess water. It is best to do this by firmly grasping the scale in one



hand, being careful not to press hard on the platform. Then tap it against your other hand to allow the water to drip out of the scale.

4. Dry the exterior of the scale with a soft cloth or leave to dry on a dish rack.

**Additional safeguards:**

- DO NOT use liquid bleach or other harsh chemicals.
- DO NOT use steel wool or abrasive sponges as this can scratch the surface.
- DO NOT submerge the scale.
- Avoid pouring water directly into your scale, as water may become trapped. If this occurs drying time may exceed 4 hours.
- Water drops on the LCD display will not interfere with your weighing. These drops will dry and disappear.
- If the scale displays “UNST” or the readings jump after washing, then water is still inside the scale. Simply shake out the excess water and let your scale dry longer. Batteries should not come in contact with water. The battery

compartment has a silicone seal to prevent this. In the event you wash the scale with the battery compartment open, please dry out the battery compartment with a soft cloth and make sure the batteries are dry before re-installing the batteries.

- If you open the compartment and lose the silicone seal you may replace the seal with an included spare seal. The silicone seals are black in color. Two (2) spare seals are included.

By following these washing instructions, you will experience shorter drying times and your scale will provide you with years of reliable service.